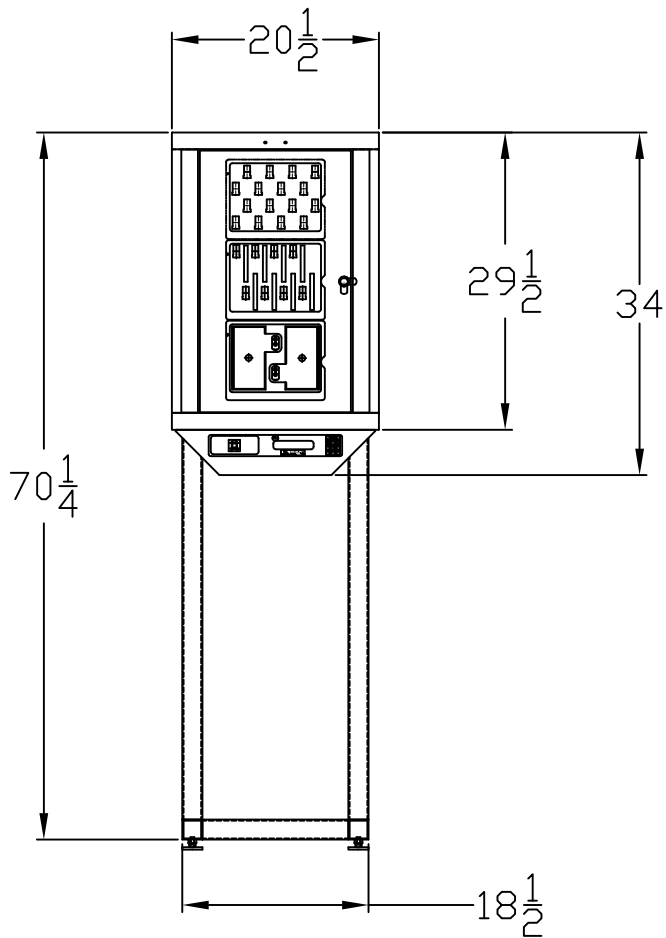
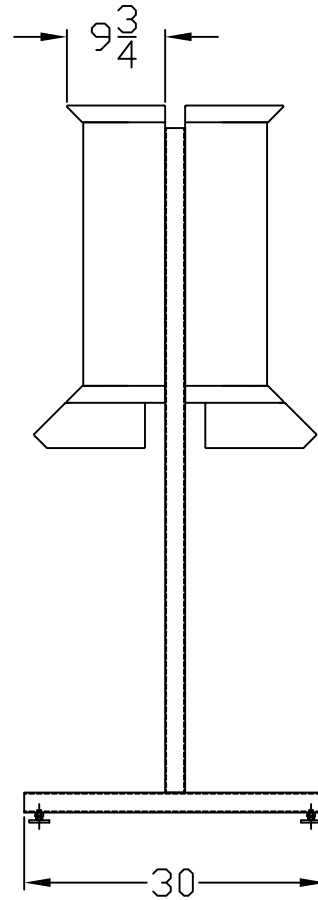


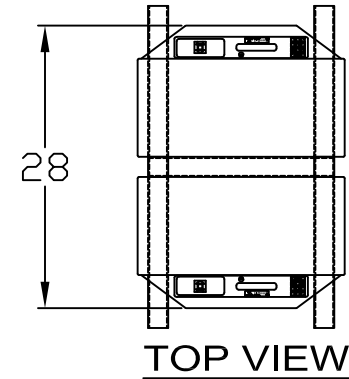
REVISIONS			
REV	DESCRIPTION	DATE	APPROVED
XX	XX	XX	



FRONT VIEW



RIGHT SIDE VIEW



TOP VIEW

FOR REVIEW	
APPROV.	SIGN & DATE
CHECKER	_____
ENGINEER	_____
ENGR MGR	_____
QUAL MGR	_____
MFR MGR	_____

TOLERANCES:
 FRACTIONS ± 1/64"
 ANGLES ±2'
 3 PLACE DECIMAL ±.005
 2 PLACE DECIMAL ±.01

DO NOT SCALE DRAWING

MATERIAL:
 MATERIAL: _____

FINISH:
 FINISH: _____

CONTRACT NO.	
CONTRACTOR	
DRAWN BY CORY	DATE 10-12-07
CHECKER	DATE
ENGINEER	QUAL CONT MGR
MFG MGR	ENGR MGR
NEXT HIGHER ASSEMBLY	

MORSE WATCHMAN®			
48 ILLUM BOX WITH FLOOR STAND			
SIZE A	MORSE CODE CODE	DWG NO. 4000-48-ILLUM W STAND	REV --
SCALE SCALE		SHEET 1 OF 1	

NOTICE: THIS DOCUMENT IS THE PROPERTY OF MORSE WATCHMANS INC. AND IS DELIVERED ON THE EXPRESS CONDITION THAT IT IS NOT TO BE DISCLOSED, REPRODUCED IN WHOLE, OR IN PART, OR USED FOR MANUFACTURE FOR ANYONE OTHER THAN MORSE WATCHMANS INC. WITHOUT ITS WRITTEN CONSENT, AND THAT NO RIGHT IS GRANTED TO DISCLOSE OR SO USE ANY INFORMATION CONTAINED IN SAID DOCUMENT. THIS RESTRICTION DOES NOT LIMIT THE RIGHT TO USE INFORMATION FURNISHED BY VENDORS OR OTHERS OUTSIDE THE MORSE WATCHMANS INC.